

F6 Hinge

Removable style - Concealed

Features

- Hinge and hardware are concealed
- Allows for quick easy door removal
- Three styles

Notes

- Select frame and door leaf separately for bulk packaging
- Select assembly for individual packaging (consists of 1 frame leaf and door leaf per bag)
- Screws not supplied
- Use M5 hardware
- Machine screws are recommended for mounting frame leaf

Material

- Steel, zinc plated, or stainless steel

Product Performance

Steel

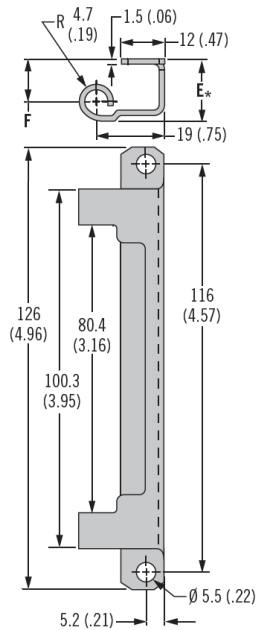
- Radial load:
 - Maximum static load: 300 N
- Axial load:
 - Maximum static load: 500 N

Stainless Steel

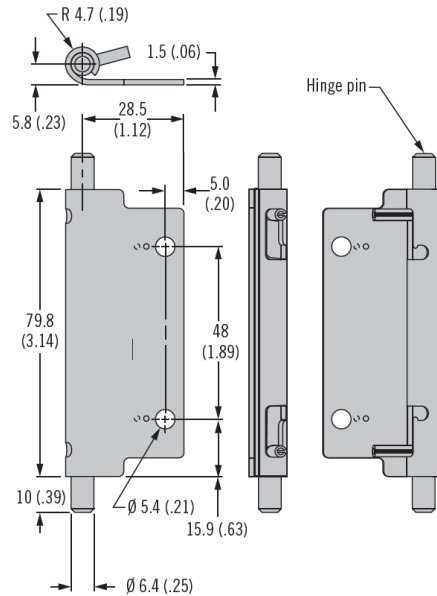
- Radial load:
 - Maximum static load: 300 N
- Axial load:
 - Maximum static load: 800 N



Frame Leaf



Door Leaf

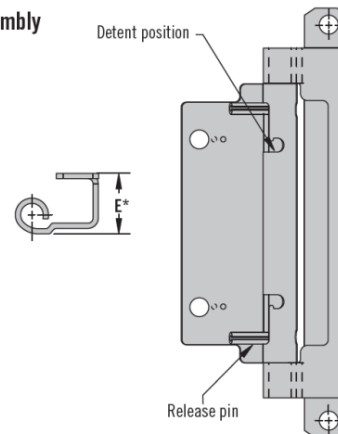


Frame Leaf Part Number				
Series	E	F	Steel	Stainless Steel
1	17 (.67)	11.8 (.47)	F6-901	F6-901-1
2	20 (.79)	14.8 (.58)	F6-902	F6-902-1
3	23.4 (.92)	18.2 (.72)	F6-903	F6-903-1

Door Leaf Part Number		
Door Leaf	Steel	Stainless Steel
		F6-940

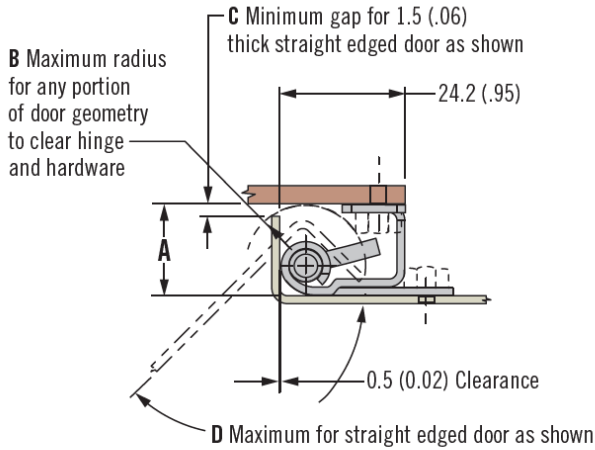
Part Number Assembled				
Series	Assembly		Steel	Stainless Steel
	E	F		
1	17 (.67)	11.8 (.47)	F6-1	F6-1-1
2	20 (.79)	14.8 (.58)	F6-2	F6-2-1
3	23.4 (.92)	18.2 (.72)	F6-3	F6-3-1

Assembly



Notes

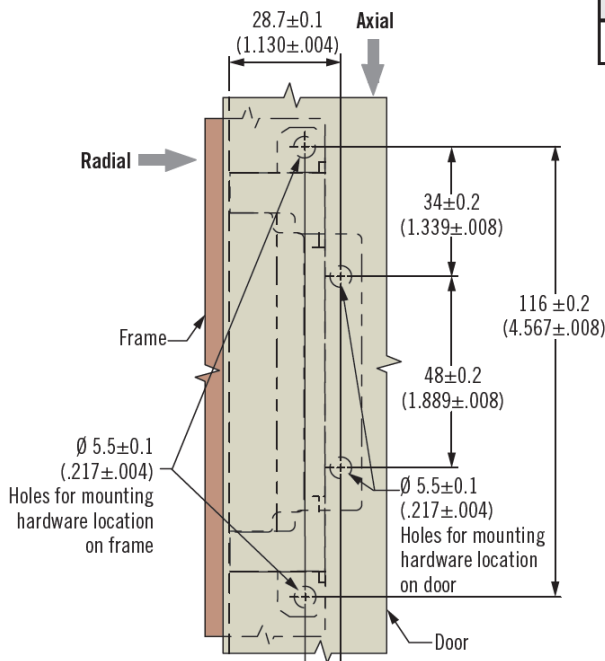
Mounting: *Select the frame leaf with a value of **E** best suited to the configuration of your door. The dimension $E + 0.6$ = the distance from the outside surface of your frame to the inside surface of your door



Hinges may be fastened to door and frame by:

- M5 (No. 10) hardware. Machine screws are recommended for mounting frame leaf.
- *Hex jam nuts. Verify clearance with door edge. Depending on jam nut orientation, full rotation may be obstructed.
- Welding.

Series	Panel Preparations Dimensions			
	A	B	C	D
1	17.6 (.69)	10.9 (.43)	3.2 (.13)	132°
2	20.6 (.81)	12.7 (.50)	3.9 (.15)	125°
3	24 (.95)	15.3 (.60)	4.4 (.17)	118°



Additional Mounting Options

